

Spring driven

Pressure up to 5000 PSI
and up to 100 feet of hose

PW7650 OHP



Spring Retractable, Hand Crank, Motor Driven

Air/Water - 1/4", 3/8", 1/2" I.D.

Compact design and quality steel construction are incorporated into Reelcraft's full line of pressure wash reels, rated up to 5000 PSI. Series PW, H18006 and 30000 reels are able to carry 50 to 425 feet of tangle-free hose and are complete with a high pressure water swivel for maximum product delivery. The high pressure water swivel is designed to handle a broad range of pressures, temperatures and chemicals; perfect for agricultural/marine, equipment cleaning and pressure washing applications.



CA38106 M

Applications

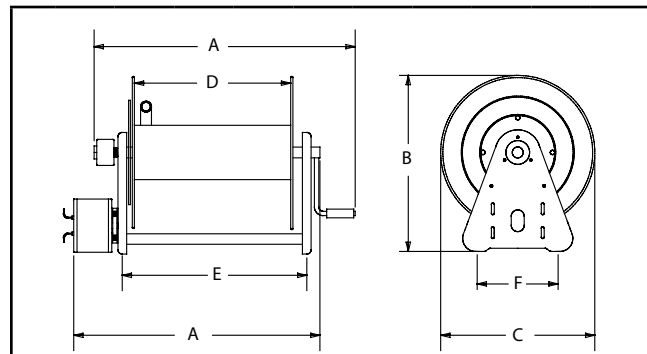
- Agricultural
- Marine
- Equipment cleaning
- Pressure washing
- Much more

| Dimensions - 7000 & 8000 | | | | |
|--------------------------|--------------------------------|-----|--------------------------------|-----|
| No. | 1 | | 2 | |
| | in / mm | | in / mm | |
| A | 19 | 483 | 24 | 610 |
| B | 20 ¹ / ₄ | 514 | 25 ³ / ₈ | 645 |
| C | 7 | 178 | 8 ⁵ / ₁₆ | 211 |
| D | 7 | 178 | 10 ¹ / ₂ | 267 |
| E | 7 ⁷ / ₈ | 200 | 10 | 254 |
| F | 3 ⁷ / ₈ | 98 | 6 | 152 |

Four 1/2" (12.7mm) mounting holes.

Hand crank

Pressure up to 5000 PSI
and up to 425 feet of hose



| Hose I.D. | in / mm | | in / mm | | in / mm | | Shipping Weight | Size Index No. |
|--|--------------------|-----|---------|----|---------|-----|-----------------|----------------|
| | ft / m | | ft / m | | ft / m | | | |
| Hose I.D. | 1/4 | 6 | 3/8 | 10 | 1/2 | 13 | | |
| Hose O.D. | .530 | 13 | .688 | 17 | .845 | 21 | | |
| Model without hose & bumper* | Hose Length | | | | | | lbs / kg | |
| | ft / m | | ft / m | | ft / m | | | |
| Spring Driven Pressure 5000 psi / 345 bar | | | | | | | | |
| PW7600 OHP | --- | --- | 50 | 15 | --- | --- | 43 20 | 1 |
| PW7650 OHP* | --- | --- | 50 | 15 | --- | --- | 50 23 | 1 |
| PW81000 OHP | --- | --- | 100 | 30 | --- | --- | 86 39 | 2 |
| Hand Crank Pressure 5000 psi / 345 bar | | | | | | | | |
| H18006 M | 150 | 46 | 100 | 30 | --- | --- | 31 14 | 3 |
| CA38106 M | 200 | 61 | 140 | 43 | 100 | 30 | 41 19 | 4 |
| CA38112 M | 425 | 130 | 300 | 91 | 200 | 61 | 46 21 | 5 |
| Electric Motor Driven Pressure 5000 psi / 345 bar | | | | | | | | |
| EA38106 M12D | 200 | 61 | 140 | 43 | 100 | 30 | 63 29 | 6 |
| EA38112 M12D | 425 | 130 | 300 | 91 | 200 | 61 | 71 32 | 7 |

*Hose included - max temperature 212°F (100°C); Max temperature for models without hose 400°F (200°C). PSI rating based upon 2.4 to 1 safety factor.

| Dimensions - Series H & 30000 | | | | | | | | | | |
|-------------------------------|-------------------------------|-----|--------------------------------|-----|--------------------------------|-----|--------------------------------|-----|--------------------------------|-----|
| No. | 3 | | 4 | | 5 | | 6 | | 7 | |
| | in / mm | | in / mm | | in / mm | | in / mm | | in / mm | |
| A | 18 | 457 | 19 | 483 | 25 | 635 | 19 | 483 | 25 ¹ / ₄ | 641 |
| B | 19 | 483 | 20 ¹ / ₄ | 514 | 20 ¹ / ₄ | 514 | 20 ¹ / ₄ | 514 | 20 ¹ / ₄ | 514 |
| C | 20 | 506 | 17 ³ / ₄ | 425 | 17 ³ / ₄ | 425 | 17 ³ / ₄ | 425 | 17 ³ / ₄ | 425 |
| D | 9 ⁵ / ₈ | 244 | 6 | 152 | 12 | 305 | 6 | 152 | 12 | 305 |
| E | 10 | 254 | 9 ³ / ₄ | 248 | 15 ³ / ₄ | 400 | 9 ³ / ₄ | 248 | 15 ³ / ₄ | 400 |
| F | 15 | 381 | 9 | 229 | 9 | 229 | 9 | 229 | 9 | 229 |

"A" is overall length. Four 1/2" (12.7mm) diameter mounting holes.

Available Options

Mounting Brackets
See page 47



Inlet Hose Assemblies
See page 49



Replacement Bumpers
See page 49



Call customer service for special hoses

