

# Mobile Equipment Reels



reelcraft.com

McGUIRE AIR COMPRESSORS [www.hosereels.biz](http://www.hosereels.biz)



1-888-229-9999



Fry's Napa AutoCare Center, Columbia City, IN



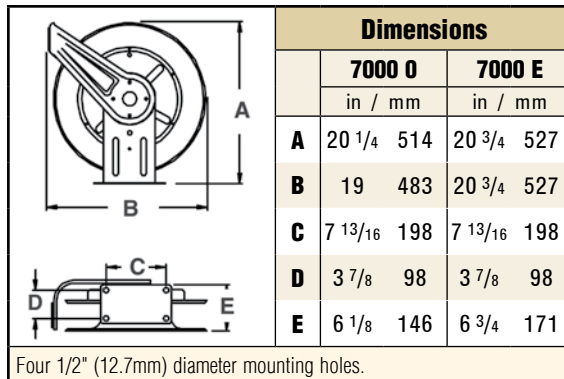
7850 OLP

## Heavy Duty Spring Retractable Hose Reels

**Air/Water/Oil/Grease** - 1/4", 3/8", 1/2", 3/4" I.D.

Series 7000 is very robust and ideal for the most demanding applications. The reel's base and guide arm are formed from high-grade steel and engineered with structural forms and gussets to yield the greatest amount of strength. The standard low pressure hose is for air or water service only. The basic reel without hose can be used for air, water or oil. Consult Reelcraft for other products and hoses. Guide arm adjusts to 3 positions.

For all metric thread connections over 1/2" add the suffix number 70 to indicate BSPT threads - example 7900 OLP70.



Series 7000 E reels are the same as 7000 O reels except **E Series reels are fully enclosed**. To order, change the model number suffix letter O to E. Example, 7650 OHP becomes 7650 EHP. Add 17 lbs. to open reel weight.



### Applications

- Industrial
- Automotive Service Centers
- Transmission Shops
- Fleet Maintenance Facilities
- Pneumatic Tools
- Aircraft Maintenance
- Tire Stores
- Agriculture
- Service Trucks
- Wash Down



Model with Hose	Shipping Weight		Pressure		Hose I.D.		Hose O.D.		(M)NPTF Outlet	(F)NPTF Inlet	Hose Length		Model without hose & bumper	Shipping Weight		Pressure	
	lbs	kg	psi	bar	in	mm	in	mm	in	in	ft	m		lbs	kg	psi	bar
<b>Low Pressure Air/Water Reels</b> Maximum Temperature 150° F (65° C)																	
7650 OLP	43	20	300	21	3/8	10	.600	15	1/4	1/2	50	15	7600 OLP	40	18	500	35
7670 OLP	47	21	300	21	3/8	10	.600	15	1/4	1/2	70	22	7600 OLP	40	18	500	35
7850 OLP	47	21	300	21	1/2	13	.750	19	3/8	1/2	50	15	7800 OLP	41	19	500	35
7850 OLP121	47	21	300	21	1/2	13	.750	19	1/2	1/2	50	15	7800 OLP	41	19	500	35
7925 OLP	47	21	250	17	3/4	19	1.075	27	3/4	3/4	25	8	7900 OLP	44	20	500	35
F7925 OLP*	47	21	50	3	3/4	19	1.075	27	3/4	3/4	25	8	F7900 OLP	45	20	500	35
<b>Medium Pressure Oil Reels</b> Maximum Temperature 210° F (99° C)																	
7650 OMP	55	25	2600	179	3/8	10	.690	18	3/8	1/2	50	15	7600 OMP	43	20	3000	207
7850 OMP	57	26	3250	224	1/2	13	.820	21	1/2	1/2	50	15	7800 OMP	43	19	3250	224
<b>High Pressure Grease Reels</b> Maximum Temperature 210° F (99° C)																	
7450 OHP	55	25	5000	345	1/4	6	.580	15	1/4	1/2	50	15	7400 OHP	43	20	5000	345
7650 OHP	60	27	4800	331	3/8	10	.730	19	1/4	1/2	50	15	7600 OHP	46	21	5000	345

Low pressure reels furnished standard with PVC hose. Medium pressure reels furnished standard with S.A.E. 100 R1T one wire braid hose. High pressure reels furnished standard with S.A.E. 100 R2T two wire braid hose. For hydraulic or other applications please consult manufacturer. \*Series F7925 OLP supplied with fuel grade hose and UL330 and UCL approved hose with a 250 psi (17 bar) minimum burst.

Available Options

Mounting Brackets



Inlet Hose Assemblies



Replacement Bumpers



Replacement Hoses



# Compact Dual Pedestal Reels

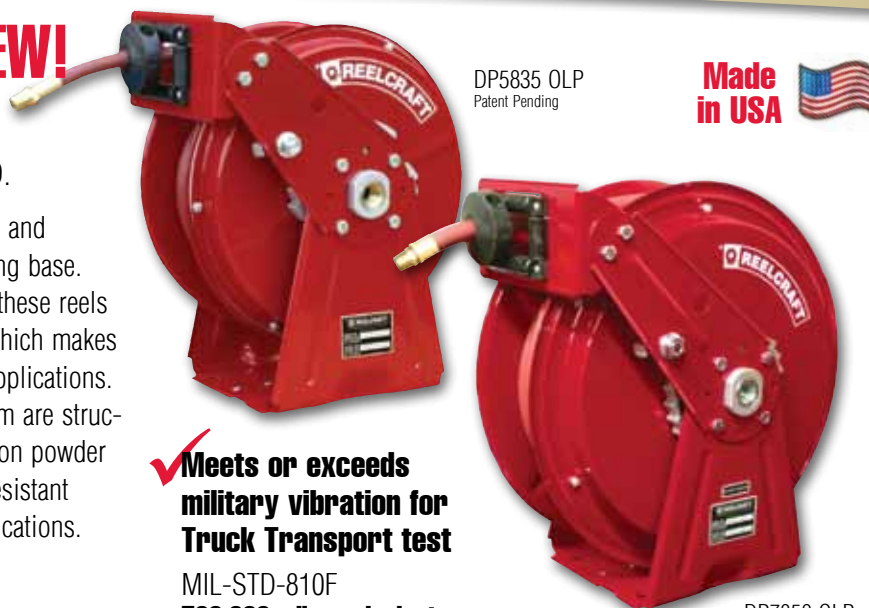
Series DP5000 / DP7000

## Heavy Duty Spring Retractable Hose Reels

**Air/Water/Oil/Grease** - 1/4", 3/8", 1/2" I.D.

Reelcraft's new compact dual pedestal Series DP5000 and DP7000 feature an innovative, non-welded, interlocking base. Independent testing to military standards has proven these reels stand up to heavy vibration and won't vibrate apart, which makes them especially strong and ideal for truck-mounted applications. Superbly engineered dual pedestal base and guide arm are structurally reinforced. All-steel construction and a baked-on powder coat finish combine to produce a rugged corrosion-resistant product suitable for a wide variety of heavy duty applications.

**NEW!**



DP5835 OLP  
Patent Pending

**Made in USA**

**Meets or exceeds military vibration for Truck Transport test**

MIL-STD-810F  
**500,000 mile equivalent**

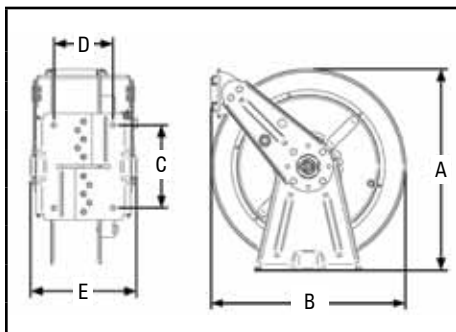
DP7850 OLP  
Patent Pending

**✓ Superior corrosion-resistance**

A double adhesive gasket seals the spring case and steel parts are powder coated to provide excellent protection against weathering.

**✓ Ease of operation**

The latch pawl is mounted on the guide arm to prevent latch out at full extension and the high impact, nylon-filled guide rollers make retraction and pay out nearly effortless.



Dimensions - Size Index				
No.	1	2	3	4
	in / mm	in / mm	in / mm	in / mm
<b>A</b>	16 3/8 416	16 3/8 416	17 432	17 432
<b>B</b>	14 3/8 365	14 3/8 365	16 1/2 419	16 1/2 419
<b>C</b>	7 178	7 178	7 178	7 178
<b>D</b>	4 102	5 127	4 102	5 127
<b>E</b>	8 203	9 229	8 203	9 229

Four 7/16" (11mm) diameter mounting holes.

Model with Hose	Shipping Weight		Pressure		Hose I.D.		Hose O.D.		(M)NPTF Outlet	(F)NPTF Inlet	Hose Length		Model without hose & bumper	Shipping Weight		Pressure		Size Index No.
	lbs / kg	psi / bar	in / mm	in / mm	in	in	ft / m	lbs / kg	psi / bar									
<b>Low Pressure Air/Water Reels</b> Maximum Temperature 150° F (65° C) w/hose / 210° F (99° C) w/o hose																		
DP5435 OLP	34 15	300 21	1/4 6	.475 12	1/4	1/2	35 11	DP5400 OLP	29 13	500 35	1							
DP5450 OLP	37 17	300 21	1/4 6	.475 12	1/4	1/2	50 15	DP5400 OLP	29 13	500 35	1							
DP7450 OLP	46 21	300 21	1/4 6	.475 12	1/4	1/2	50 15	DP7400 OLP	44 20	500 35	3							
DP5635 OLP	41 19	300 21	3/8 10	.600 15	1/4	1/2	35 11	DP5600 OLP	37 17	500 35	1							
DP5650 OLP	44 20	300 21	3/8 10	.600 15	1/4	1/2	50 15	DP5605 OLP	38 17	500 35	2							
DP7650 OLP	50 23	300 21	3/8 10	.600 15	1/4	1/2	50 15	DP7600 OLP	44 20	500 35	3							
DP5835 OLP	52 24	300 21	1/2 13	.750 19	3/8	1/2	35 11	DP5800 OLP	38 17	500 35	2							
DP7850 OLP	53 24	300 21	1/2 13	.750 19	3/8	1/2	50 15	DP7800 OLP	45 20	500 35	4							
<b>Medium Pressure Oil Reels</b> Maximum Temperature 210° F (99° C)																		
DP7650 OMP	55 25	2600 179	3/8 10	.690 18	3/8	1/2	50 15	DP7600 OMP	45 20	3000 207	3							
DP5835 OMP	54 24	3250 224	1/2 13	.820 21	1/2	1/2	35 11	DP5800 OMP	40 18	3250 224	2							
DP7850 OMP	64 29	3250 224	1/2 13	.820 21	1/2	1/2	50 15	DP7800 OMP	45 20	3250 224	4							
<b>High Pressure Grease Reels</b> Maximum Temperature 210° F (99° C)																		
DP7450 OHP	59 27	5000 345	1/4 6	.580 15	1/4	1/2	50 15	DP7400 OHP	44 20	5000 345	3							
DP5635 OHP	43 20	4800 331	3/8 10	.730 19	1/4	1/2	35 11	DP5600 OHP	40 18	5000 345	2							
DP7650 OHP	65 29	4800 331	3/8 10	.730 19	1/4	1/2	50 15	DP7600 OHP	46 21	5000 345	3							

Low pressure reels furnished standard with PVC hose. Medium pressure reels furnished standard with S.A.E. 100 R1T one wire braid hose. High pressure reels furnished standard with S.A.E. 100 R2T Two wire braid hose.

**Available Options**

**Mounting Brackets**



**Inlet Hose Assemblies**



**Replacement Bumpers**



**Replacement Hoses**



**Made in USA** 



D8650 OLP

## Ultimate Duty Spring Retractable Reels

**Air/Water/Oil/Grease** - 1/4", 3/8", 1/2" I.D.

The ultra duty aluminum cast base and arm of the Series D8000 and E8000 offers the highest rigidity among this class of hose reels. The guide arm is field-adjustable for floor, wall, ceiling, pit and truck mounting. The durable baked-on, powder-coat finish provides a high quality ultra-violet radiation (sunlight) weather and chip-resistant finish.

### Enclosed Model

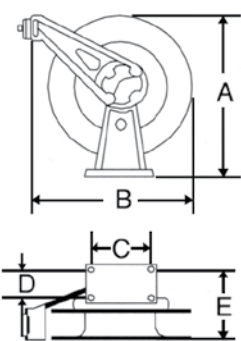


D8650 ELP

Series D8000 E reels are the same as D8000 O reels except **E Series reels are fully enclosed**. To order, change the model number suffix letter O to E. Example, D8650 OHP becomes D8650 EHP. Add 17 pounds to open reel weight.

### FEATURES

- ✓ Aluminum guide arm and base are cast from 40,000 P.S.I. tensile strength material with 7% elongation which assures ultimate shock resistance. Cast aluminum frame gives maximum strength with minimum payload weight.
- ✓ A special heavy, double adhesive sided spring case gasket protects the main spring from damage (failure) caused by water, dirt or other foreign matter entering the spring case.
- ✓ Guide arm is field adjustable for floor, wall, ceiling, pit and truck mounting.
- ✓ Full flow shaft and swivel.
- ✓ Reel springs are manufactured from the highest quality scale-less blue tempered steel.
- ✓ Individually coated components with a durable baked-on powder coat finish provides excellent high quality ultra violet radiation (sunlight) weather and chip-resistant finish.



### Dimensions

	D/E8000 O		D8000 E	
	in	mm	in	mm
<b>A</b>	21 1/8	537	21 9/16	548
<b>B</b>	19	483	20 7/8	530
<b>C</b>	7 7/8	200	7 7/8	200
<b>D</b>	3 3/4	95	3 3/4	98
<b>E</b>	9 1/4	235	10 1/2	267

Four 1/2" (12.7mm) diameter mounting holes.

Model with Hose	Shipping Weight		Pressure		Hose I.D.		Hose O.D.		(M)NPTF Outlet	(F)NPTF Inlet	Hose Length		Model without hose & bumper	Shipping Weight		Pressure	
	lbs	kg	psi	bar	in	mm	in	mm	in	in	ft	m		lbs	kg	psi	bar
<b>Low Pressure Air/Water Reels</b> Maximum Temperature 150° F (65° C) w/hose / 210° F (99° C) w/o hose																	
D8650 OLP	45	20	300	21	3/8	10	.600	15	1/4	1/2	50	15	D8600 OLP	40	18	500	35
D8670 OLP	47	21	300	21	3/8	10	.600	15	1/4	1/2	70	21	D8600 OLP	40	18	500	35
D8850 OLP	47	21	300	21	1/2	13	.750	19	3/8	1/2	50	15	D8800 OLP	41	19	500	35
E8850 OLP*	47	21	300	21	1/2	13	.750	19	3/8	1/2	50	15	E8800 OLP	41	19	500	35
<b>Medium Pressure Oil Reels</b> Maximum Temperature 210° F (99° C)																	
D8650 OMP	47	21	2600	179	3/8	10	.690	18	3/8	1/2	50	15	D8600 OMP	43	20	3000	207
D8840 OMP	53	24	3250	224	1/2	13	.820	21	1/2	1/2	40	12	D8800 OMP	43	20	3250	224
D8850 OMP	57	26	3250	224	1/2	13	.820	21	1/2	1/2	50	15	D8800 OMP	43	20	3250	224
E8850 OMP*	57	26	3250	224	1/2	13	.820	21	1/2	1/2	50	15	E8800 OMP	43	20	3250	224
<b>High Pressure Grease Reels</b> Maximum Temperature 210° F (99° C)																	
D8450 OHP	53	24	5000	345	1/4	6	.580	15	1/4	1/2	50	15	D8400 OHP	44	20	5000	345
D8650 OHP	60	27	4800	331	3/8	10	.730	19	1/4	1/2	50	15	D8600 OHP	44	20	5000	345
E8650 OHP*	60	27	4800	331	3/8	10	.730	19	1/4	1/2	50	15	E8600 OHP	44	20	5000	345

\*Series E8000 models are for lubrication trucks. Low pressure reels furnished standard with PVC hose. Medium pressure reels are furnished standard with S.A.E. 100 R1T one wire braid hose. High pressure reels furnished standard with SAE 100R2T two wire braid hose, suitable for grease applications only.

### Available Options

Optional Roller Guides



Inlet Hose Assemblies



Replacement Bumpers



Replacement Hoses



# Dual Pedestal Hose Reels

## Series 80000 / D80000

### Heavy Duty Spring Retractable Reels

**Air/Water/Oil/Grease** - 3/8", 1/2", 3/4", 1" I.D.

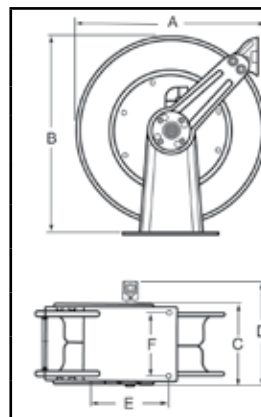
Reelcraft's Series 80000 and D80000 spring retractable reels incorporate the most current design and manufacturing techniques to guarantee long life and trouble-free performance. All-steel construction and a baked-on powder coat finish combine to produce a rugged, corrosion-resistant product suitable for a wide variety of heavy duty applications. Series D80000 reels are also supplied with Reelcraft's ball-bearing style swivel.



82100 OLP

#### FEATURES

- ✓ Hose anti latch-out feature ensures hose retracts every time.
- ✓ Guide arm is field adjustable for wall, ceiling, or truck mounting positions.
- ✓ Dual pedestal base and guide arm design are structurally reinforced.
- ✓ Five-in-one, heat-treated aluminium casting incorporates main shaft, ratchet, spring arbor and inlet/outlet plumbing in one-piece casting.
- ✓ Containerized spring assembly provides safer and easier handling during maintenance.
- ✓ Two sealed ball bearings for smooth rotation of main shaft.



Dimensions - Size Index						
No.	1		2		3	
	in / mm		in / mm		in / mm	
<b>A</b>	24	610	24	610	24	610
<b>B</b>	25 3/8	645	25 3/8	645	25 3/8	645
<b>C</b>	8 3/8	213	9 3/8	238	9 3/8	238
<b>D</b>	10 1/8	257	14 1/4	362	15 1/4	387
<b>E</b>	10	254	10 1/2	267	10 1/2	267
<b>F</b>	6	152	7 7/8	200	7 7/8	200

Four 1/2" (12.7mm) diameter mounting holes.

Model with Hose	Shipping Weight		Pressure		Hose I.D.		Hose O.D.		(M)NPTF Outlet	(F)NPTF Inlet	Hose Length		Model without hose & bumper	Shipping Weight		Pressure		Size Index No.
	lbs	kg	psi	bar	in	mm	in	mm	in	in	ft	m		lbs	kg	psi	bar	
<b>Low Pressure Air/Water Reels</b> Maximum Temperature 150° F (65° C) w/hose / 210° F (99° C) w/o hose																		
81100 OLP	82	37	300	21	3/8	10	.600	15	3/8	1/2	100	30	81000 OLP	77	35	500	35	1
82075 OLP	87	39	300	21	1/2	13	.750	19	1/2	1/2	75	23	82000 OLP	82	37	500	35	1
82100 OLP	95	43	300	21	1/2	13	.750	19	1/2	1/2	100	30	82000 OLP	82	37	500	35	1
83050 OLP	88	40	250	17	3/4	19	1.075	27	3/4	3/4	50	15	83000 OLP	77	35	500	35	1
+F83050 OLP*	89	41	50	3	3/4	19	1.075	27	3/4	3/4	50	15	F83000 OLP	74	34	500	35	1
D83075 OLP	102	46	250	17	3/4	19	1.075	27	3/4	3/4	75	23	D83000 OLP	83	38	500	35	2
D84050 OLP	103	47	250	17	1	25	1.375	35	3/4	1	50	15	D84000 OLP	91	41	500	35	3
<b>Medium Pressure Oil Reels</b> Maximum Temperature 210° F (99° C)																		
82075 OMP	101	46	2000	138	1/2	13	.850	22	1/2	1/2	75	23	82000 OMP	82	37	2000	138	1
83050 OMP	98	44	1250	86	3/4	19	1.120	28	3/4	3/4	50	15	83000 OMP	84	38	1500	104	1
<b>High Pressure Grease Reels</b> Maximum Temperature 210° F (99° C)																		
81075 OHP	111	50	4800	331	3/8	10	.730	19	3/8	3/8	75	23	81000 OHP	85	39	5000	345	1
81100 OHP	127	58	4800	331	3/8	10	.730	19	3/8	3/8	100	30	81000 OHP	85	39	5000	345	1

+UL330 and ULC approved hose. 250 psi minimum burst. (17 Bar) / For all metric thread connections over 1/2" add the suffix number -70 to indicate BSPT threads - example 83050-OLP70.  
 Low pressure reels furnished standard with PVC hose. Medium pressure reels are furnished standard with S.A.E. 100 R1T one wire braid hose. Modification - Reels without hose can be modified to handle gasoline and diesel fuel, to order place prefix "F" before model number (F83000 OLP). \*Model F83050 OLP equipped with fuel grade hose. High pressure reels furnished standard with SAE 100R2T two wire braid hose.

**Available Options**

Mounting Brackets



Inlet Hose Assemblies



Replacement Bumpers



Replacement Hoses





SD13050 OLP

**NEW!**

**Spring Retractable Low Profile Reels**  
**Air/Water/Oil/Vacuum Recovery - 3/4", 1" I.D.**

Series SD10000 hose reels are designed to facilitate larger diameter 3/4" and 1" hose up to 50 ft. They feature a high quality external drive spring and a heavy gauge all-bolted frame. This is the most compact reel in its class, making it ideal for mounting in truck cabinets or other areas where space is limited.

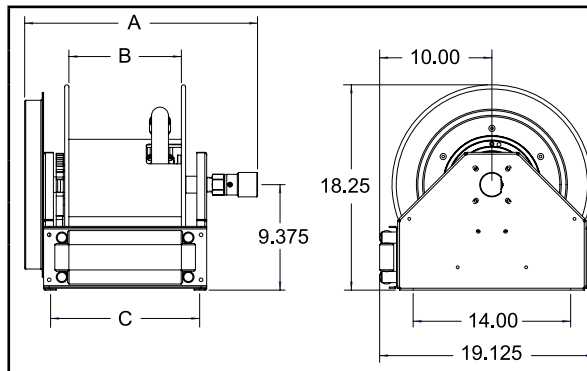
**Benefits**

- **Compact** reel features extreme space saving design, ideal for applications with minimal space constraints.
- **Strength** reel is built with high quality industrial grade components for superior strength and design.



**Specifications**

- High impact UHMW guide rollers
- Corrosion resistant powder coat paint
- 1 3/8" solid main shaft
- 4 - 5/8" tie rods maintain reel integrity and provide added support
- Containerized external drive spring assembly is easily and safely serviced
- Ultra low profile design for mounting in cabinetry
- Ductile iron fluid path parts
- Stainless latch spring and widened aluminum ratchet/pawl



Size Index				
No.	1		2	
	in / mm		in / mm	
<b>A</b>	18 3/4	476	20 3/4	527
<b>B</b>	8	203	10	254
<b>C</b>	11 1/4	286	13 1/4	337

Four 1/2" (12.7mm) mounting holes. All models are bottom wind unless otherwise specified. Additional bracket required for other guide arm positions.

Model with Hose	Shipping Weight		Pressure		Hose I.D.		Hose O.D.		(M)NPTF Outlet	(F)NPTF Inlet	Hose Length		Model without hose & bumper	Shipping Weight		Pressure		Size Index No.
	lbs	kg	psi	bar	in	mm	in	mm	in	in	ft	m		lbs	kg	psi	bar	
<b>Low Pressure Air/Water Reels</b> Maximum Temperature 210° F (99° C)																		
SD13035 OLP	95	43	300	21	3/4	19	1.188	30	3/4	1	35	11	SD13000 OLP	85	39	500	35	1
SD13050 OLP	105	48	300	21	3/4	19	1.188	30	3/4	1	50	15	SD13000 OLP	85	39	500	35	1
SD14035 OLP	102	46	300	21	1	25	1.500	38	3/4	1	35	11	SD14000 OLP	85	39	500	35	1
SD14050 OLP	125	57	300	21	1	25	1.500	38	3/4	1	50	15	SD14005 OLP	92	42	500	35	2
<b>Medium Pressure Oil Reels</b> Maximum Temperature 210° F (99° C)																		
SD13050 OMP	105	48	1250	86	3/4	19	1.188	30	3/4	1	50	15	SD13000 OMP	85	39	3000	207	1
<b>Vacuum Recovery Reels</b> Maximum Temperature 210° F (99° C)																		
SD13035 OVP	95	43	28 Hg~300 psi		3/4	19	1.260	32	3/4	1	35	11	SD13000 OVP	85	39	28 Hg~300 psi		1
SD13050 OVP	105	48	28 Hg~300 psi		3/4	19	1.260	32	3/4	1	50	15	SD13000 OVP	85	39	28 Hg~300 psi		1
SD14035 OVP	102	46	28 Hg~300 psi		1	25	1.440	37	1	1	35	11	SD14000 OVP	85	39	28 Hg~300 psi		1
SD14050 OVP	125	57	28 Hg~300 psi		1	25	1.440	37	1	1	50	15	SD14005 OVP	92	42	28 Hg~300 psi		2

**NOTE:** Vacuum Recovery Reel capacities based on using SAE 100 R4 hose or equivalent. Minimum bend radius is 8", max O.D. 1.500".

**Available Options**

Optional Roller Guides



Inlet Hose Assemblies



Replacement Bumpers



Replacement Hoses



# Vehicle-Mount Hose Reels | Series 9000

## Ultimate Duty Spring Retractable Reels Air/Water/Oil/Grease - 1/2", 3/4", 1", 1 1/4", 1 1/2" I.D.

Series 9000 mobile base reels offer the greatest amount of stability for high volume air, water, diesel fuel and gasoline. Ideal for portable service trucks, permanent service or plant work areas. A durable baked-on powder coat finish produces a rugged corrosion resistant product suitable for a wide variety of heavy duty applications. Basic reels without hose will handle air, water or oil; consult Reelcraft for other applications.

Made  
  
in USA

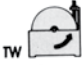


D9350 OLPBW


No.	Dimensions - Size Index					
	1		2		3	
	in / mm		in / mm		in / mm	
<b>A</b>	26 1/4	667	26 1/4	667	26 1/4	667
<b>B</b>	24 1/8	613	24 1/8	613	24 1/8	613
<b>C</b>	4 3/4	121	3 7/8	98	4 1/2	114
<b>D</b>	12	305	17 11/16	449	13 3/8	340
<b>E</b>	7 3/4	195	13 7/16	341	7 3/4	195
<b>F</b>	22 1/4	556	22 1/4	556	22 1/4	556
<b>G</b>	12 1/4	311	12 1/4	311	12 1/4	311
<b>H</b>	13 7/8	352	13 7/8	352	13 7/8	352
<b>J</b>	26 3/8	670	26 3/8	670	26 3/8	670

Four 1/4" (6mm) mounting holes.


### Hose Guide Roller Position



TW  
RIGHT HAND INLET



BW  
RIGHT HAND INLET



SW  
LEFT HAND INLET

A suffix code (see diagram) must be added after the model number to specify desired position. Reels are shipped in the BW position unless specified otherwise. FF9500/9600 in BW only.

Model with Hose	Weight		Pressure		Hose I.D.		Hose O.D.		(M)NPTF	(F)NPTF	Hose Length		Model without hose & bumper	Weight		Pressure		Size Index No.
	lbs / kg	psi / bar	in / mm	in / mm	in	in	ft / m	in	in	ft / m	lbs / kg	psi / bar						
<b>Low Pressure Air/Water Reels</b> Maximum Temperature 150° F (65° C)																		
D9275 OLP	122	55	300	21	1/2	21	.750	19	1/2	1/2	75	23	D9200 OLP	115	52	500	35	1
D9299 OLP	127	58	300	21	1/2	13	.750	19	1/2	1/2	100	30	D9200 OLP	115	52	500	35	1
D9350 OLP	140	64	250	17	3/4	19	1.075	27	3/4	3/4	50	15	D9300 OLP	115	52	500	35	1
D9375 OLP	152	69	250	17	3/4	19	1.075	27	3/4	3/4	75	23	D9300 OLP	115	52	500	35	1
D9399 OLPBW	143	65	250	17	3/4	19	1.075	27	3/4	3/4	100	30	D9305 OLPBW	115	52	500	35	3
D9450 OLP	157	71	250	17	1	25	1.375	35	3/4	1	50	15	D9400 OLP	115	52	500	35	1
Not available with hose					1 1/4	32	1.750	44	1 1/4	1 1/2	50	15	FF9500 OLPBW	125	57	600	41	2
Not available with hose					1 1/2	28	2.000	51	1 1/2	1 1/2	50	15	FF9600 OLPBW	135	61	600	41	2
<b>Medium Pressure Oil Reels</b> Maximum Temperature 210° F (99° C)																		
D9275 OMP	131	59	3250	224	1/2	13	.820	21	1/2	1/2	75	23	D9200 OMP	117	53	3250	224	1
D9350 OMP	142	64	1250	86	3/4	19	1.188	30	3/4	3/4	50	15	D9300 OMP	117	53	3000	207	1
<b>High Pressure Grease Reels</b> Maximum Temperature 210° F (99° C)																		
D9175 OHP	153	69	4800	331	3/8	10	.730	19	3/8	1/2	75	23	D9100 OHP	118	54	5000	345	1

Low pressure reels furnished standard with PVC hose. Medium pressure reels are furnished standard with S.A.E. 100 R1T one wire braid hose. High pressure reels furnished standard with SAE 100R2T two wire braid hose. For all metric thread connections over 1/2" add the suffix number 70 to indicate BSPT threads - example D9300 OLP70. FF9500 and FF9600 models will have BSPP threads. **Note: To specify our heavy duty model, change prefix from D to E. Not available on FE9500 or FE9600. Modification** - Reels without hose can be modified to handle gasoline and diesel fuel, to order place prefix "F" before model number - example (FF9300 OLP).

**Available Options**

Optional Roller Guides 

Inlet Hose Assemblies 

Replacement Bumpers 

Replacement Hoses 



FD83075 OLP

## Spring Retractable Fuel Reels

**F7000** - 3/4" I.D.

**FE9000, FD9000** - 3/4", 1" I.D.

**FF9000** - 1 1/4", 1 1/2" I.D.

**F80000, FD80000** - 3/4", 1" I.D.



Reelcraft's spring retractable fuel delivery reels, equipped with Viton seals, incorporate metal forms to insure the greatest possible strength and are ideal for mobile and permanent-mount applications. These rugged, corrosion-resistant reels are suitable for a wide variety of fuel applications including E85. Series F/FD/FE reels are all supplied with our ball-bearing style swivel.

Model with Hose	Shipping Weight		Pressure	Hose I.D.		Hose O.D.		(M)NPTF Outlet	(F)NPTF Inlet	Hose Length	Model without hose & bumper		Shipping Weight		Pressure	Size Index		
	lbs	kg		psi	bar	in	mm	in	mm		in	in	ft	m			lbs	kg
<b>Low Pressure Air/Water Reels</b> Maximum Temperature 150° F (65° C) w/hose / 210° F (99° C) w/o hose																		
CA F7925 OLP*	47	21	*50	3	3/4	19	1.188	30	3/4	3/4	25	8	CA F7900 OLP	45	20	500	35	pg. 2
CA F83050 OLP*	89	40	*50	3	3/4	19	1.188	30	3/4	3/4	50	15	CA F83000 OLP	74	34	500	35	pg. 5
CA FD83075 OLP*	115	52	*50	3	3/4	19	1.188	30	3/4	3/4	75	23	CA FD83000 OLP	82	37	500	35	pg. 5
CA FD84050 OLP*	115	52	*50	3	1	25	1.500	38	1	1	50	15	CA FD84000 OLP	84	38	500	35	pg. 5
FE9350 OLP*	140	64	*50	3	3/4	19	1.188	30	3/4	3/4	50	15	FE9300 OLP	115	52	500	35	pg. 7
FE9450 OLP*	157	71	*50	3	1	25	1.500	38	1	1	50	15	FE9400 OLP	115	52	500	35	pg. 7
FD9350 OLP*	140	64	*50	3	3/4	19	1.188	30	3/4	3/4	50	15	FD9300 OLP	114	52	500	35	pg. 7
FD9450 OLP*	157	71	*50	3	1	25	1.500	38	1	1	50	15	FD9400 OLP	113	51	500	35	pg. 7
Not available with hose				1 1/4	32	1.750	44	1 1/4	1 1/2	50	15	FF9500 OLPBW	125	57	600	41	pg. 7	
Not available with hose				1 1/2	38	2.000	51	1 1/2	1 1/2	50	15	FF9600 OLPBW	135	61	600	41	pg. 7	

\*Models equipped with fuel grade hose. UL330 and ULC approved hose. 250 PSI minimum burst (17 Bar) For all metric thread connections 1" and under add the suffix number -70 to indicate BSPT threads - example FD80000-OLP70. For all metric threads above 1" add -70 for BSPP threads. FF Models supplied with 1 1/2" inlet. Reel inlet on all models in this chart is NPTF (F) and matches hose I.D. Flow rates of fuel hose are reduced by 30% with addition of internal spring type bend restrictors. For example, flow rate of F7925 OLP with internal bend restrictors is 9.0 GPM at 40 psi; flow without internal bend restrictors is 13.0 GPM at 40 psi.

### Available Options

Mounting Brackets



Inlet Hose Assemblies



Replacement Bumpers



Replacement Hoses



## Spring Retractable Grounding Reels Series G 3000

Static discharge reels are used to ground equipment operating in hazardous atmospheres. When properly clamped to ground, the static discharge reel dissipates static electrical buildup, reducing the chances of sparking and the potential for explosion.



GA3100 N



G 3050 Y



G 3050

Model	Cable Extended		Y	Clamp Rating	Cable Notes	Shipping Weight	
	ft	m				lbs	kg
G 3050	50	15	N/A	100 AMP	Single 7 x 7 stranded steel*	12	5
G 3050 Y	50	15	2 @ 15' (5)	100 AMP	35' (9.2m) plus dual 15' (4.6m) for Y* Total extension 50' (15m)	12	5
G 3050 N	50	15	N/A	100 AMP	Nylon covered cable**	12	5
GA3100 N	100	30	N/A	100 AMP	Hi-vis orange nylon covered cable**	16	7

\*3/32" OD steel aircraft cable. DC resistance is approximately one ohm per 50 ft. of steel cable. \*\*Nylon covered cable (1/8" O.D.). **Dimensions:** G 3050's = 8.62" x 3.35" x 8.81" (L x W x H); 4 mounting holes (3/8") 7 7/8" x 1 1/2". GA3100 N = 9.25" x 4.31" x 9 3/4" (L x W x H); 4 mounting holes (1/2") 7 7/8" x 1 1/8".



# Multiple Configurations

# Safe-T-Reel Series

## Hand Crank Reels

Up to 150' fuel gas

Up to 200' 12/3 cable



Ideal for applications where space, weight and flexibility are key, these reels are designed for manual winding of air/water/fuel gases hose, electric cord and welding cable. Versatile in function, select configurations to suit specific needs. Safe-T-Reels offer trouble-free management of large capacities of hose or cord.



## Dual Spool

Side-by-side combinations

T-2462-0

## Dual Spool

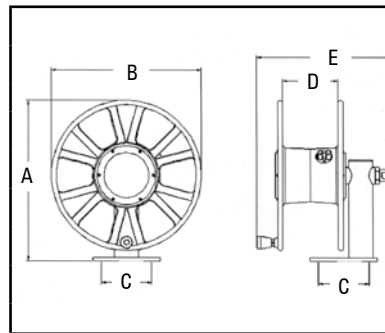
Stacked combinations

T-2464-0



Model without cable	AMP	Reel Capacity		Shipping Weight		Cable	Size Index No.
		ft / m	lbs / kg	lbs / kg	AWG/Cond		
<b>Single Welding Cable 600 V, 2/0 Cable</b>							
T-1460-0 CA	250	200 61	32 15	-----			2
<b>Single Power Cable - 3 Conductor</b>							
T-1535-003	30	150 45	18.5 5	8 / 3			1
T-1535-083-100*	33	100 30	50 23	8 / 3			1
T-1535-103-200*	24	200 61	81 37	10 / 3			1
T-1535-123-100*	25	100 30	46 21	12 / 3			1
T-1535-123-200*	20	200 61	71 32	12 / 3			1

\*Includes cable.



Dimensions - Size Index			
No.	1	2	3
	in / mm	in / mm	in / mm
A	19 483	19 483	19 483
B	18 457	18 457	18 457
C	6 152	6 152	6 152
D	6 1/2 165	6 1/2 165	12 1/2 165
E	15 3/4 401	16 1/4 412	21 3/4 552

Four 1/2" diameter mounting holes.

Model without hose	Shipping Weight		Pressure	Hose I.D.		Hose O.D.		Reel Capacity		Size Index No.
	lbs / kg	psi / bar		in / mm	in / mm	ft / m				
<b>Single Spool Air / Water Hose Reels</b> Maximum Temperature 150° F (65° C)										
T-1115-08	18 8	300 21	1/2 13	.844 21	150 46	1				
T-1116-08	22 10	300 21	1/2 13	.844 21	250 76	3				
T-1117-12	18 8	250 17	3/4 19	1.188 30	50 15	1				
T-1118-12	22 10	250 17	3/4 19	1.188 30	75 23	3				
<b>Single Spool Oxygen/Acetylene T-Grade Seals</b> Maximum Temperature 150° F (65° C)										
T-1225-04 CA	19 9	200 14	1/4 6	.530 13	150 45	2				
T-1225-04-100T*	44 20	200 14	1/4 6	.530 13	100 30	2				
T-1226-06	19 9	200 14	3/8 10	.625 16	100 30	2				

\*Includes hose.

## Single Spool



### Detail of heavy duty shaft

with tapered roller bearing for high rigidity



Shaft sizes are 1 to 1.25" in diameter, supported by tapered roller bearings with 2 to 2.3" housings.

T-1225-04-100T

Model without cable	AMP	Reel Capacity		Shipping Weight		Size Index No.
		ft / m	lbs / kg	lbs / kg		
<b>Dual Side-by-Side Welding Cable (2) 600 V, 2/0 Cable</b>						
T-2462-0	250	200 61	51 23			5
<b>Dual Stacked Welding Cable (2) 600 V, 2/0 Cable</b>						
T-2464-0	250	200 61	62 28			4
<b>Dual Side-by-Side Power Cable / Air Hose</b>						
T-2735-2-0*	35	200 61 150 45	40 18			5

\*Air hose side has 1/2" (12.7mm) inlet.

Dimensions - Size Index			
No.	4	5	
	in / mm	in / mm	
A	38 965	19 483	
B	18 457	18 457	
C	6 152	6 152	
D	6 1/2 165	6 1/2 165	
E	16 1/4 737	29 737	

Four 1/2" diameter mounting holes.

**Caution:** Compressed air hoses should not be converted to oxygen service. Compressed air hoses are often contaminated with an oil coating, which can react explosively when oxygen is introduced. Oxygen/Acetylene cannot be combined with welding cable or power cord. **Note:** Models listed are without hose and/or cable except where listed. Weights listed above are actual product weight without packaging materials. Safe-T-Reels are available with cable or hose and in various combinations. Please consult Reelcraft customer service for additional information.

## Heavy Duty Large Frame Reels Nordic Series 2400

1/2", 3/4" or 1" Fluid Path for 1/2" through 1" I.D. Hose

**Rewind:** Gear-drive rewind (new) or chain and sprocket drive powered by A.C. or D.C. electric motor, compressed air motor or hydraulic motor.

**Inlet:** 1/2" up to 1" female/male NPT 90° swivel joint. Straight swivel joint may be specified at extra cost.

**Gooseneck:** 1/2" up to 1" female/male NPT. Other sizes and/or threads, including male NST and male garden hose thread, can be furnished when specified.

Product temperatures from -20° to +225°F and standard pressures to 3000 p.s.i. Reels to operate at other temperatures or pressures can be furnished at extra cost, consult manufacturer. The standard color for this series is red or gray. ADD 12" to E dimension when crank is in rewind position.

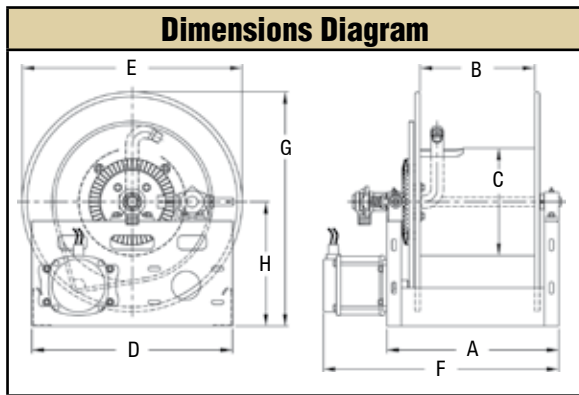
**NEW!**  
 Gear drive option



**1/2" pitch chain now standard**

Shown with optional bevel crank.

**Made in USA**



## Fire Service / Booster Reels

The **aluminum Series 2450** reel for booster hose is corrosion-resistant and weighs up to 50% less than standard steel booster reels. Features include an aluminum spool and frame assembly, plated steel fluid path and plated sprocket and fasteners. **No painting or finishing is required.**



Nordic Series 2450

Hose I.D.	in mm	1/2	3/4	1	Specification - Hose Capacity and Reel Dimensions														
		in mm	1.875 47.6	1.281 32.5	1.563 39.7	KEY: CRK = hand crank; ELC = electric motor; HYD = hydraulic motor; AIR = air moter													
Model	Hose Length (other std. lengths available)	Est. Weight	A	B	C	D	E CRK	E ELC	E AIR	E HYD	F CRK	F ELC	F AIR	F HYD	G	H			
																	2400-19-16	ft m	200 61
2400-23-14	ft m	315 96	150 46	100 30	74 LB 34 KG	in mm	20 508	14 356	11.25 286	21 533	23 584	23 584	24 584	23 610	27 686	26 660	26 660	24.5 622	13 330
2400-23-18	ft m	485 148	240 73	150 46	78 LB 35 KG	in mm	24 610	18 457	11.25 286	21 533	23 584	23 584	23 584	28 711	31 787	30 762	30 762	24.5 622	13 330
2400-23-20	ft m	535 163	260 79	165 50	80 LB 36 KG	in mm	26 660	20 508	11.25 286	21 533	23 584	23 584	23 584	23 762	30 838	32 813	32 813	24.5 622	13 330
2400-23-24	ft m	625 191	300 91	200 61	84 LB 38 KG	in mm	30 762	24 610	11.25 286	21 533	23 584	23 584	23 584	34 864	37 940	36 914	36 914	24.5 622	13 330
2400-25-8	ft m	235 72	125 38	60 18	72 LB 33 KG	in mm	14 356	8 203	11.25 286	21 533	25 635	25 635	25 635	18 457	21 533	20 508	20 508	26.5 673	14 356
2400-25-14	ft m	450 137	225 69	110 34	74 LB 34 KG	in mm	20 508	14 356	11.25 286	21 533	25 635	25 635	25 635	24 610	27 686	26 660	26 660	26.5 673	14 356
2400-31-8	ft m	435 133	185 56	125 38	74 LB 34 KG	in mm	14 356	8 203	11.25 286	24 610	31 787	31 787	31 787	18 457	21 533	20 508	20 508	32.5 826	17 432
2400-31-10	ft m	540 165	235 72	165 50	76 LB 34 KG	in mm	16 406	10 254	11.25 286	24 610	31 787	31 787	31 787	20 508	23 584	22 559	22 559	32.5 826	17 432
2400-31-16	ft m	900 274	400 122	300 91	80 LB 36 KG	in mm	22 559	16 406	11.25 286	24 610	31 787	31 787	31 787	26 660	29 737	28 711	28 711	32.5 826	17 432

Refer to chart on page 11 for weight adders.

## Heavy Duty Large Frame Reels

### Nordic Series 3900

1½" Fluid Path for 1" through 1½" I.D. Hose

**Rewind:** Gear-drive rewind (new) or chain and sprocket drive powered by A.C. or D.C. electric motor, compressed air motor or hydraulic motor.

**Inlet:** 2" straight victaulic with 1½" female NPT straight swivel joint is standard. 2" victaulic 90° with 1½" NPT female available at extra cost.

**Gooseneck:** 1", 1¼" and 1½" female/male NPT outlet. Other sizes and/or threads can be furnished and must be specified.

ADD 12" to E dimension when crank is in rewind position.  
The standard color for this series is red or gray.

**NEW!**  
Gear drive  
option

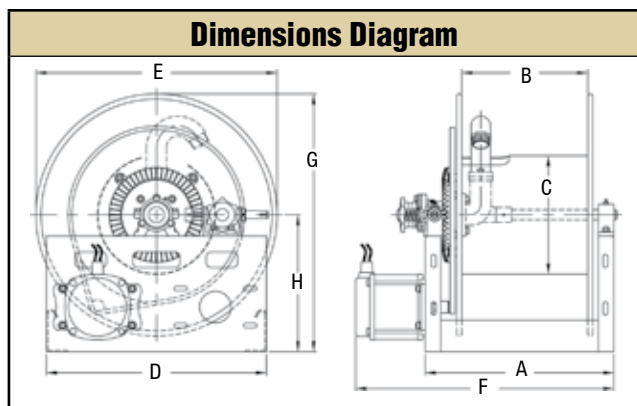
**1/2" pitch chain  
now standard**

Shown with optional  
bevel crank.



**Made in USA**

Standard seals maximum temperature 174° F (79° C) and minimum temperature -20° F (-29° C). Extreme temperature seals maximum temperature 400° F (204° C) and minimum temperature -50° F (-45° C) and standard pressures to 600 PSI. Other temperatures or pressures can be furnished at extra cost, consult manufacturer.



<b>Note: Weights shown in chart are for crank rewind models.</b>	Prefix	Type	LB / KG
	EP	Electric	42 / 19
	A	Air	26 / 12
<b>Add these amounts and model number prefix for power rewind models.</b>	H	Hyd	26 / 12

Hose I.D.	in mm	1 25	1 1/4 32	1 3/8 35	1 1/2 38	Specification - Hose Capacity and Reel Dimensions														
						KEY: CRK = hand crank; ELC = electric motor; HYD = hydraulic motor; AIR = air moter						A	B	C	D	E CRK	E ELC	E AIR	E HYD	F CRK
Model	Hose Length					Est. Weight	A	B	C	D	E CRK	E ELC	E AIR	E HYD	F CRK	F ELC	F AIR	F HYD	G	H
3900-19-16	ft	55	45	45	40	90 LB	in	22	16	11.25	21	21	21	21	26	29	28	28	22.5	13
	m	17	14	14	12	41 KG	mm	559	406	286	533	533	533	533	660	737	711	711	572	330
3900-19-20	ft	70	65	60	55	93 LB	in	26	20	11.25	21	21	21	21	30	32	32	32	22.5	13
	m	21	20	18	17	42 KG	mm	660	508	286	533	533	533	533	762	838	813	813	572	330
3900-23-12	ft	95	60	55	50	87 LB	in	18	12	11.25	21	23	23	23	22	25	24	24	24.5	13
	m	29	18	17	15	39 KG	mm	457	305	286	533	584	584	584	559	635	610	610	622	330
3900-23-18	ft	155	90	90	80	93 LB	in	24	18	11.25	21	23	23	23	28	31	30	30	24.5	13
	m	47	27	27	24	42 KG	mm	610	457	286	533	584	584	584	711	787	762	762	622	330
3900-23-20	ft	165	105	100	95	95 LB	in	26	20	11.25	21	23	23	23	30	33	32	32	24.5	13
	m	50	32	30	29	42 KG	mm	660	508	286	533	584	584	584	762	838	813	813	622	330
3900-23-26	ft	220	120	110	105	100 LB	in	32	26	11.25	21	23	23	23	36	39	38	38	24.5	13
	m	67	37	34	32	45 KG	mm	813	660	286	533	584	584	584	914	991	965	965	622	330
3900-23-28	ft	240	145	140	135	103 LB	in	34	28	11.25	21	23	23	23	38	41	40	40	24.5	13
	m	73	44	43	41	47 KG	mm	864	711	286	533	584	584	584	965	1041	1016	1016	622	330
3900-23-36	ft	320	190	180	175	111 LB	in	42	36	11.25	21	23	23	23	46	49	48	48	24.5	13
	m	98	58	55	53	50 KG	mm	1067	914	286	533	584	584	584	1168	1245	1219	1219	622	330
3900-25-12	ft	95	85	55	50	89 LB	in	18	12	11.25	21	25	25	25	22	25	24	24	26.5	14
	m	29	26	17	15	40 KG	mm	457	305	286	533	635	635	635	559	635	610	610	673	356
3900-25-20	ft	165	155	100	95	97 LB	in	26	20	11.25	21	25	25	25	30	33	32	32	26.5	14
	m	50	47	30	29	44 KG	mm	660	508	286	533	635	635	635	762	838	813	813	673	356
3900-31-12	ft	210	155	115	105	92 LB	in	18	12	11.25	24	31	31	31	22	25	24	24	32.5	17
	m	64	47	35	32	42 KG	mm	457	305	286	610	787	787	787	559	635	610	610	826	432
3900-31-16	ft	305	205	155	150	96 LB	in	22	16	11.25	24	31	31	31	26	29	28	28	32.5	17
	m	93	62	47	46	44 KG	mm	559	406	286	610	787	787	787	660	737	711	711	826	432
3900-31-20	ft	365	275	200	190	100 LB	in	26	20	11.25	24	31	31	31	30	33	32	32	32.5	17
	m	111	84	61	58	45 KG	mm	660	508	286	610	787	787	787	762	838	813	813	826	432

## North America and Corporate Headquarters

2842 E. Business Hwy 30  
Columbia City, IN 46725

**Customer Service Direct Line:** 855-634-9109

Ph: 800-444-3134 • Fax: 800-444-4587

Ph: 260-248-8188 • Fax: 260-248-2605

reelcraft@reelcraft.com

**www.reelcraft.com**

## Latin America and the Middle East

Thompson International, Inc.

P.O. Box 12958, Ft. Wayne, IN 46866

Ph: 260-489-1685 • Fax: 260-489-0203

info@t-i-i.com

**www.reelcraft.com/latinamerica**

## China

Reelcraft Changzhou Co., Ltd.

Building C, No. 229 HeHai West Road

Changzhou, Jiangsu, China 213022

Ph: +86 (519) 8512 2391 ext. 8002

Fax: +86 (519) 8512 9309

rco@reelcraftchina.com

**www.reelcraftchina.com**

## Europe

Unit 17 • Cronin Courtyard

Weldon South Industrial Estate

Corby • Northamptonshire NN18 8AG United Kingdom

Ph: +44 (0) 1536 406999

Fax: +44 (0) 1536 406777

europa@reelcraft.com

**www.reelcraft.com/europe**

## Pacific Rim

P.O. Box 53776, Clark Freeport Zone

Philippines 2023

Ph: +63 (45) 625-6624

Fax: +63 (45) 321-0643

rap@comclark.com

**www.reelcraft.com/asia**

## Australia

PO Box 6463 BC, Blacktown

NSW 2148, Australia

Ph: +61 (2) 9621 8988

Fax: +61 (2) 9621 7688

sales@recoila.com

**www.reelcraft.com**