

Twin Hydraulic Hose Reels | Series TH

Twin Hose, Spring Retractable Reels Dual Hydraulic - 1/4", 3/8", 1/2" I.D.

Reelcraft's hydraulic reels are used for medium pressure dual hydraulic hose applications and are ideal for operating hydraulic cylinders, tools and equipment. High volume dual-body swivel for maximum product delivery (excluding the 80000). Series TH reels incorporate contemporary engineering and manufacturing techniques for trouble-free performance. Reels are all-steel construction and compact for applications with critical space requirements.



TH5425 OMP

Made
in USA



TH7445 OMP

Applications

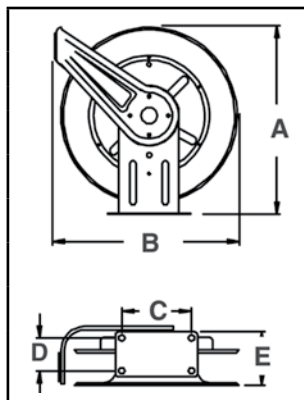
- Cranes
- Construction Equipment
- Hydraulic Tools
- Vehicle Extraction Tools
- Aerial Device
- Hydraulic Cylinders
- Tree Cutters
- Digger Derricks
- Railroad Maintenance Tools

Questions? We can help!

Our friendly customer service team is ready to help you with expert assistance. When you call us, you get a live voice and fast, friendly service.

FEATURES

- ✓ Constant tension or pos-i-latch spool mechanism
- ✓ All-steel construction
- ✓ Reels have a durable, abrasion-resistant, baked-on powder coat finish spring motor
- ✓ Compact design for critical space requirements



Dimensions - Size Index						
No.	1		2		3	
	in / mm		in / mm		in / mm	
A	14 ¹ / ₂	368	20 ¹ / ₄	514	25 ³ / ₈	645
B	13 ¹ / ₂	343	19	483	24	610
C	9 ³ / ₄	248	7 ⁷ / ₈	200	10	254
D	2 ¹ / ₂	64	3 ⁷ / ₈	98	6	152
E	6	152	7	178	13	330

5000 reels have four 5/16" (8mm) mounting holes. 7000 and 80000 reels have four 1/2" (12.7mm) mounting holes.

Model with Hose	Shipping Weight		Pressure		Hose I.D.		Hose O.D.		(M)NPT Outlet	(F)NPT Inlet	Hose Length		Model without hose & bumper	Shipping Weight		Pressure		Size Index No.
	lbs	kg	psi	bar	in	mm	in	mm	in	in	ft	m		lbs	kg	psi	bar	
Medium Pressure Hydraulic Hose Reels Maximum Temperature 210° F (99° C)																		
TH5425 OMP	34	15	2000	138	1/4	6	.500	13	1/4	1/4	25	8	TH5400 OMP	24	11	3000	207	1
TH7445 OMP	60	27	2000	138	1/4	6	.500	13	1/4	1/4	45	14	TH7400 OMP	44	20	3000	207	2
THA7630 OMP	53	24	2000	138	3/8	10	.640	16	3/8	3/8	30	9	THA7600 OMP CA	44	20	3000	207	2
TH86050 OMP	99	45	2000	138	3/8	10	.640	16	3/8	3/8	50	15	TH86000 OMP	88	40	3000	207	3
TH88050 OMP	104	47	2000	138	1/2	13	.910	23	1/2	1/2	50	15	TH88000 OMP CA	88	40	3000	207	3

Available Options

Mounting Brackets
See page 47



Inlet Hose Assemblies
See page 49



Replacement Bumpers
See page 49



Replacement Hoses
See page 50

