



Page 2
Medium Duty
Power Cord
Reel



Page 5
Heavy Duty
Light Cord
Reel



Power and Light Cord Reels

®



reelcraft.com

Wind Things Up With Reelcraft™

Light/Medium Duty Cord Reels

ALL NEW!

Reelcraft's new line of light and medium duty cord reels are designed for less strenuous applications in which a capable and long-lasting reel is required. The reels accommodate lengths of 16/3, 14/3, 12/3, and 10/3 diameter cable.

Series LD Cord Reels

Designed to provide moderate lengths of cable for lighter industrial applications, light duty Series LD reels feature a powder coated steel housing, adjustable cable stop and a circuit breaker that can be reset. Ideally suited to be mounted overhead, the reels are compact and require little space.

LIGHT DUTY CORD REELS

MODEL (with cable)	CORD ENDING	CORD SPECIFICATIONS				VOLTS	AMPS	WGT. lbs / kg
		AWG / mm	No. Cond.	Length ft / m	Type			
LD2040 163 2*	Style 2	16 1.33	3	40 12	SJTW	120	0.3	9 4
LD2030 163 9	Style 9	16 1.33	3	30 9	SJTW	125	10	9 4
LD2030 143 9	Style 9	14 2.08	3	30 9	SJTW	125	13	10 5

Designed for ceiling mount. *Requires a minimum of five feet hanging cable (outside reel).
L x W x H = 9.75" x 4" x 11.5"

Series LG Cord Reels

Delivering longer lengths of heavier gauge cord, medium duty Series LG cord reels are constructed from high-impact resistant composite materials to be lighter and compact. The unique design allows them to be mounted overhead, on a wall or detached from their mounting bracket, making them completely portable. They also feature an adjustable cable stop and a circuit breaker that can be reset.

MEDIUM DUTY INDUSTRIAL CORD REELS

MODEL (with cable)	CORD ENDING	CORD SPECIFICATIONS				VOLTS	AMPS	WGT. lbs / kg
		AWG / mm	No. Cond.	Length ft / m	Type			
LG3050 163 8*	Style 8	16 1.33	3	50 15	SJTW	120	10	15 7
LG3050 143 9	Style 9	14 2.08	3	50 15	SJTW	125	13	15 7
LG3040 123 9	Style 9	12 3.32	3	40 12	SJTW	125	15	15 7

*Requires a minimum of five feet hanging cable (outside reel). L x W x H = 11.5" x 5" x 15.25"

Series LH Hand Crank Reels

Designed with the contractor in mind, Series LH medium duty hand crank reels are completely portable and deliver power where and when it is necessary. Four circuit breaker protected outlets are built into the reel itself. Steel components are powder-coated for maximum corrosion resistance.

MEDIUM DUTY HAND CRANK REELS

MODEL (with cable)	CORD ENDING	CORD SPECIFICATIONS				VOLTS	AMPS	WGT. lbs / kg
		AWG / mm	No. Cond.	Length ft / m	Type			
LH2080 143	4 Outlets	14 2.08	3	80 24	SJTW	125	10	13 6
LH3100*	4 Outlets	10 5.37	3	100 30	STW	125	15	7 3

*Does not include cable

Note: products on this page are warranted for 90 days.

CORD OPTIONS



Style #2
13 watt fluorescent light features a durable shock-resistant lamp holder and shatter-resistant tube with switch.

Style #8
13 watt fluorescent light features an on/off switch on the handle and an outlet.



NEW!



Style #9
Triple outlet with grounded receptacles. For maximum ratings, consult manufacturer.



UL LISTED



▽ Light duty
LD2040 163 2



△ Light duty
LD2030 143 9



Light duty
LD2030 163 9



UL LISTED



Medium duty
LG3050 163 8



△ Medium duty
LG3050 143 9



△ Medium duty
LH3100



△ Portable power
LH2080 143



UL LISTED

North America: 800-444-3134 China: (519) 8512 2391

Europe: +44 (0) 1536 406999 Pacific Rim: +63 (45) 625-6624

Latin America: 001-260-489-1685

reelcraft.com

McGUIRE AIR COMPRESSORS www.hosereels.biz

Reelcraft Industries is
ISO 9001:2000
Certified Since 1996

Models listed with an icon can be shipped same day when the order is received by 11:30 AM local time for quantities of 5 or fewer.

IN Indiana Warehouse

CA California Warehouse

IN & CA Indiana & California
Warehouses

CA Canadian Warehouse

1-888-229-9999

Power and Light Cord Reels Series L4000 and L5000

Better by Design™

Adjustable Bumper Stop

Allows any desired length of cord to be maintained outside the reel.

Corrosion-Resistant

Steel components are individually powder coated to virtually eliminate corrosion.

Reelcraft offers eight styles of outlets and lamps

- Single receptacle
- Duplex outlet box w/ GFCI (F) - 2 styles available
- R.V. plug
- Fluorescent - 2 styles available
- Incandescent - 2 styles available

Easy to Mount

Attaches to most structurally sound surfaces. Edges are curved for safety.

Note: Swing brackets should be used if cords are pulled at more than 45°.



Adjustable Guide Arm

Multiple guide arm positions for versatile uses and easier field adjustment.

Enclosed Drive Spring

Drive mechanism is enclosed for protection against the environment.

Long Life Drive Spring

Declutching arbor virtually eliminates possibility of spring damage due to reverse winding of reel spool.

Structural Strength

Robotically welded heavy gauge steel frame.



Model Number Significance

This chart is for reference purposes only. Reels cannot be ordered by selecting from this chart. Please consult manufacturer for any questions about option combinations.

BUMPER ASSEMBLIES FOR CORD REELS					
PART NUMBER	OUTSIDE DIA. OF CORD	CORD SPECIFICATIONS			
		AWG / mm ²	# Cond.	Type	
600193	.320" - .530"	16	1.33	3	SJO
1-HR1004-A	.438" - .624"	12	3.32	3	SJO
600267	.645"	10	5.37	3	SO
1-HR1004	.625" - .749"	12	3.32	3	SO
3-HR1004-3	1.06" - 1.30"	6	8.00	3	SO

SERIES L4000 and L5000 CORD REELS FOR REFERENCE ONLY

L 40501633

REEL SERIES 40 = 4000 SERIES REEL 45 = 4500 SERIES REEL 55 = 5500 SERIES REEL 57 = 5700 SERIES REEL	WIRE SIZE 10 = 10 GAUGE 12 = 12 GAUGE 16 = 16 GAUGE	STYLE NUMBERS NONE. OPEN END 1 = INCANDESCENT LAMP 2 = FLUORESCENT LAMP 3 = SINGLE RECEPTACLE 4 = R.V. PLUG (M) 5 = INCANDESCENT NON-SPARKING 6x = FLUORESCENT EXPLOSION PROOF 7 = DUPLEX OUTLET BOX (F) W/GFCI 8 = FLUORESCENT W/OUTLET X = FLYING LEAD
	LENGTH OF CORD 00 = W/O CORD 35 = 35 FEET 45 = 45 FEET 50 = 50 FEET	
	NO. OF CONDUCTORS 2 = TWO CONDUCTOR 3 = THREE CONDUCTOR	
	UL LISTED	



Wind Things Up With Reelcraft™

Power and Light Cord Reels Series L4000 and L5000

Power Source Style Options

New

Style X

Bare cord/cable endings and conduit box.



Style #3

Single 15 AMP receptacle with clamp type strain relief.

Style #3A

Single 20 AMP receptacle.

Improved

Two Options: #600209

Cord size - 16 AWG

#600251

Cord size - 12 AWG

Style #3B

Single 20 AMP receptacle with twist lock connector.

Style #7 and 7A

Dual outlet box with GFCI protection and flip-top lid.

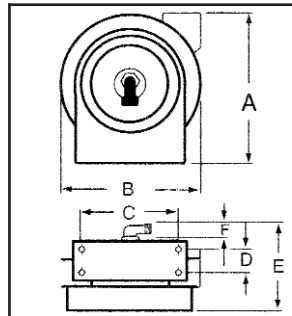


The GFCI Receptacle is designed to protect people from the line-to-ground shock hazards, which could occur from defective power tools or appliances operating from this device or from down line outlets protected by it. The Ground Fault Circuit Interrupter does not protect against short circuits or overloads; this is the function of the fuse or circuit breaker.

Style #4

Male rubber plug used with recreational vehicles (RV's).

- ✓ Spring retractable with latch
- ✓ Compact for critical space requirements
- ✓ Durable abrasion and corrosion resistant baked-on powder coat finish
- ✓ Wall, ceiling or bench mount
- ✓ Engineered for industrial use
- ✓ All models supplied with cord are complete with approximately 4-5 foot pigtail and three-prong plug
- ✓ Adjustable cord stop



Series 4000 and 5000 models have four 5/16" diameter mounting holes. Series L5700 "E" dimension is 12 1/2".

DIMENSIONS

	L4000 L4500		L5000 L5400		L5500 L5700	
	in	mm	in	mm	in	mm
A	13 1/4	337	14 1/2	368	17 1/2	445
B	12 3/8	321	13 3/4	349	16 1/2	419
C	8	203	9 3/4	248	9 3/4	248
D	2 1/2	64	2 1/2	64	2 1/2	64
E	9 3/8	239	12 1/2	318	12 1/2*	318
F	1 3/4	44	2 1/8	54	2 1/8	54

*Series L5700 "E" dimension is 12.5"

Made in USA



POWER CORD & CABLE REEL SELECTION CHART For indoor non-weather tight applications only

MODEL	ACCESSORY	CORD SPECIFICATIONS				VOLTS*	AMPS	WEIGHT	
		AWG / mm ²	No. Cond.	Length ft / m	Type			lbs	kg
L 4035 163 3	Single Receptacle	16 1.33	3	35 11	SJTOW	115	13	22	10
L 4050 163 3	Single Receptacle	16 1.33	3	50 15	SJTOW	115	13	26	12
L 4545 123 3	Single Receptacle	12 3.32	3	45 14	SJEOW	115	15	28	13
L 5550 123 3	Single Receptacle	12 3.32	3	50 15	STOW	115	15	47	21
L 4545 123 3A	Single Connector	12 3.32	3	45 14	SJEOW	125	20	29	13
L 4545 123 3B	Twist Lock Connector	12 3.32	3	45 14	SJEOW	125	20	29	13
L 5750 103 4	R.V. Plug	10 5.37	3	50 15	SO	115	35	50	23
L 4545 123 7A	Duplex Outlet Box w/GFCI (F)	12 3.32	3	45 14	SJEOW	125	20	28	13
L 4545 123 7	Duplex Outlet Box w/GFCI (F)	12 3.32	3	45 14	SJEOW	115	**15	29	13
L 5550 123 7	Duplex Outlet Box w/GFCI (F)	12 3.32	3	50 15	STOW	115	**20	47	21

*All models UL listed at 115 Volt 60 HZ single phase. Base power cord reels without cord ends are suitable for 220V.

Inlet plug is NEMA5-15P configuration. Plug ends not set up for 20 amp. **NOTE: Swing brackets should be used if cords are pulled at more than 45°.

POWER CORD & CABLE REEL SELECTION CHART For indoor non-weather tight applications only

MODEL FLYING LEAD	MODEL NO CORD	REEL CAPABILITIES				VOLTS	AMPS	WEIGHT*	
		AWG / mm ²	No. Cond.	Length ft / m	Type			lbs	kg
L 4050 163 X	L 4000	16 1.33	3	50 15	SJO	115	15	22	10
-----	L 4100	16 1.33	4	40 12	SJO	115	13	22	10
L 4545 123 X	L 4500	12 3.32	3	45 14	SJO	115	25	21	10
-----	L 5000	10 5.27	3	35 11	SO	115	35	29	13
-----	L 5400	12 3.32	3	35 11	SO	115	25	25	11
L 5550 123 X	L 5500	12 3.32	3	50 15	STOW	115	20	34	15
L 5750 103 X	L 5700	10 5.27	3	50 15	SO	115	35	37	17
-----	L 7000	6 13.3	4	35 11	SO	220	50	41	19

All models listed at 115 Volt 60 HZ single phase; suitable for 220 V. For indoor use only. *Without cord.



Heavy duty single receptacle
L 4050 163 3



Heavy duty GFCI duplex outlet box
L 4545 123 7
L 4545 123 7A



New Heavy duty flying lead
L 4050 163 X

North America: 800-444-3134 China: (519) 8512 2391

Europe: +44 (0) 1536 406999 Pacific Rim: +63 (45) 625-6624

Latin America: 001-260-489-1685

reelcraft.com

McGUIRE AIR COMPRESSORS www.hosereels.biz

Reelcraft Industries is
ISO 9001:2000
Certified Since 1996

Models listed with an icon can be shipped same day upon request when the order is received by 11:30 AM local time for quantities of 5 or fewer.

IN Indiana Warehouse CA California Warehouse

CA Indiana & California Warehouses CA Canadian Warehouse

1-888-229-9999

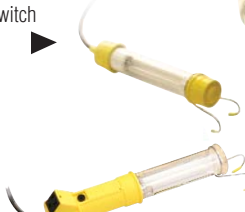
Power and Light Cord Reels Series L4000 and L5000



Light Style Options

Fluorescent Light Style #2

- Durable shock absorbing lamp holder
- Shatter-resistant tube with switch



Style #6

- Explosion Proof 13 watt fluorescent hand lamp
 - Automatic on/off switch at reel guide arm
 - Suitable for Class 1, group C and D locations
- Note: Reel is not explosion-proof.



Incandescent Lights

Style #5

- Rubber handle with vinyl-coated cage
- W/O switch or receptacle
- Automatic on/off switch at reel guide arm
- Complies with NEC #511-3.f., portable lighting equipment.
- Meets OSHA requirements.



Style #1

- Single receptacle tool tap
- Push-through switch
- Metal grounded guard.

Style #8

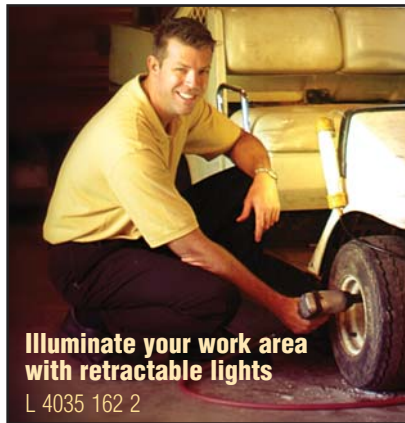
- 120v-15amp receptacle is located in line on cord
- Scratch guard protects lamp cover
- **Hand lamp only, order model 1 163 3 8**
 - One foot #16/3 conductor SJTOW-A yellow cord with molded NEMA 5-15P plug
 - SAF-T-TIE keeps the light plugged into receptacle



Heavy duty
L 4050 163 1

Five retractable light cord options

Illuminate your work area with incandescent, fluorescent or explosion-proof hand lamps



Illuminate your work area with retractable lights
L 4035 162 2

Auto-Switch Light Cord Reels

Models equipped with an automatic on/off switch incorporate a guide arm-mounted switch that activates power with a pull of the cord.



Made in USA

Note: Reel is not explosion proof

Heavy duty
L 5245 A 163 6X

LIGHT CORD REEL SELECTION CHART For indoor non-weather tight applications only									
MODEL	ACCESSORY	CORD SPECIFICATIONS				VOLTS *	AMPS	WEIGHT	
		AWG / mm ²	No. Cond.	Length ft / m	Type			lbs / kg	
L 4035 163 1	*Incandescent	16 1.33	3	35 11	SJTOW	115	13	22	10
L 4050 163 1	*Incandescent	16 1.33	3	50 15	SJTOW	115	13	23	10
L 4035 A163 5**	*Incandescent	16 1.33	3	35 11	SJOW	115	15	25	11
L 5245 A163 6X**	Fluorescent	16 1.33	3	45 14	SEOW	115	0.3	32	15
L 4035 162 2	Fluorescent	16 1.33	2	35 11	SJTOW	115	0.3	23	10
L 4050 162 2	Fluorescent	16 1.33	2	50 15	SJTOW	115	0.3	24	11
L 4035 163 8	Fluorescent Light and Outlet	16 1.33	3	35 11	SJT0	115	10	26	12
L 4050 163 8	Fluorescent Light and Outlet	16 1.33	3	50 15	SJT0	115	10	27	12

* Incandescent bulb 75 watt maximum. All models UL listed at 115 Volt 60 HZ single phase. Base power cord reels without cord ends are suitable for 220 V. For indoor use only. See accessories page for optional mounting brackets and bases.
**Models are equipped with automatic on/off switch that activates power.
NOTE: Swing brackets should be used if cords are pulled at more than 45°.



Heavy duty
L 4035 162 2



Wind Things Up With Reelcraft™

High Capacity Cable Reels
Nordic™ Series CR2400/CR3100/CR4800
for 3-conductor service

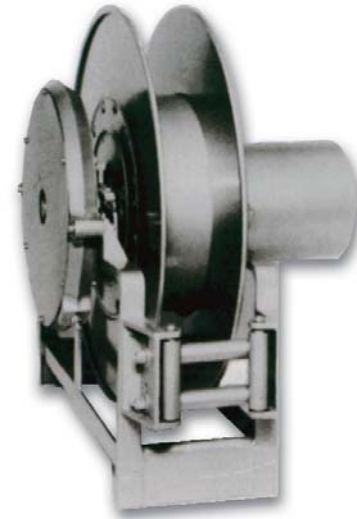
Rewind: Direct crank rewind or chain and sprocket drive powered by A.C. or D.C. electric motor or compressed air motor.

Series CR2400 - an adjustable spring drag device is used to brake the reel.

Series CR3100/CR4800 - powered by a rugged spring protected by a tamperproof housing, a ratchet mechanism locks on payout of cable, but is easily disengaged with a pull to provide rewind.

Cable rollers: All models supplied with a 4-way roller guide assembly. Roller position must be specified. If not specified, bottom wind will be supplied. Can be supplied or installed. Consult manufacturer.

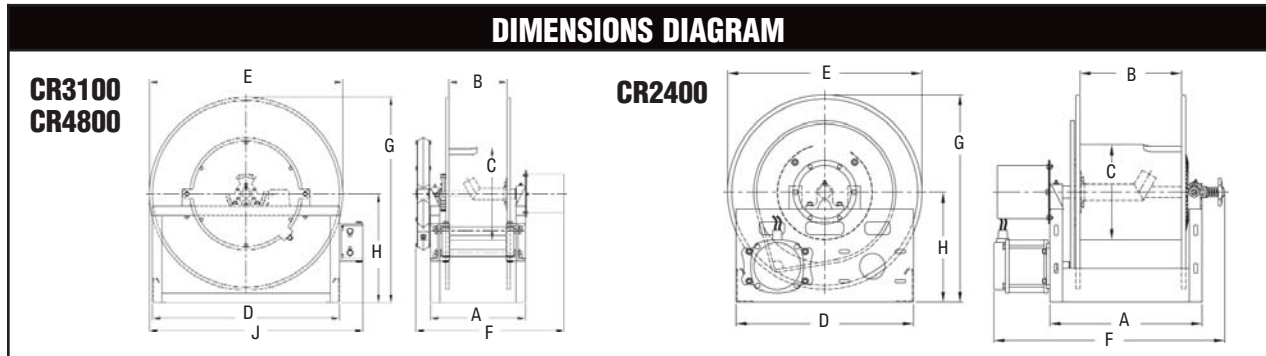
Cable stop: A hose/cable stop should be used to prevent damage to rollers and to permit adjustment of free cable length.



Nordic Series CR4800

Many more sizes, from standard components, available on request. Consult manufacturer.

Made in USA



MODEL NO.	Gauge / No. of Conductors								SPECIFICATIONS - HOSE CAPACITY AND REEL DIMENSIONS													
	16/3	14/3	12/3	10/3	8/3																	
	Cable O.D. in Inches and Millimeters								"F" dimension based on three conductor slip ring. Refer to numbering system in the Reel Catalog for complete part numbers.													
in	.375	.530	.580	.705	.750	1.000	1.250	1.500														
mm	10	13	15	18	19	25	32	38														
MODEL	HOSE LENGTH								EST. WEIGHT Less Motor	A	B	C	D	E	E PWR	F	F PWR	G	H	J		
SPRING DRIVEN REELS																						
CR3100-23-4	ft	85	85	100	100	90			92 LB	in	9	4	15	21	23		18		24.5	13	26	
	m	26	26	30	30	27			42 KG	mm	229	102	381	533	584		457		622	330	660	
CR3100-25-4	ft	95	100	100	100	100			97 LB	in	9	4	15	21	25		18		26.5	14	27	
	m	29	30	30	30	30			44 KG	mm	229	102	381	533	635		457		673	356	686	
CR4800-31-4	ft	120	120	130	130	130			118 LB	in	9.25	4	20	30	31		19		33	17.5	34.5	
	m	37	37	40	40	40			54 KG	mm	235	102	508	762	787		483		838	445	876	
HAND CRANK / MOTOR DRIVEN REELS																						
CR2400-23-12	ft	1900	930	775	520	430	240	155	105	72 LB	in	18	12	11.25	21	23	23	29	29	24.5	13	
	m	579	283	236	158	131	73	47	32	33 KG	mm	457	305	286	533	584	584	737	737	622	330	
CR2400-31-8	ft	2700	1350	1100	750	660	360	185	135	79 LB	in	14	8	11.25	24	31	31	25	25	32.5	17	
	m	823	411	335	229	201	110	56	41	36 KG	mm	356	203	286	610	787	787	635	635	826	432	

North America: **800-444-3134** China: **(519) 8512 2391**
 Europe: **+44 (0) 1536 406999** Pacific Rim: **+63 (45) 625-6624**
 Latin America: **001-260-489-1685**

Reelcraft Industries is
ISO 9001:2000
 Certified Since 1996

Models listed with an icon can be shipped same day upon request when the order is received by 11:30 AM local time for quantities of 5 or fewer.

Indiana Warehouse California Warehouse
 Indiana & California Warehouses Canadian Warehouse

Heavy Duty Cord Reels Series 30000

Heavy Duty Cord and Cable Storage Reels

Hand Crank, Bevel Crank & Motor Driven

Keep long lengths of expensive electrical cord off the ground and out of harm's way with Reelcraft's expanded Series 30000 line, which includes cable storage reels and live power cord. The reels are designed to handle long lengths of 10/3, 12/3 and 16/3 cable.

Reelcraft's Series 30000 storage reels and live power cord reels are constructed of heavy gauge steel and are assembled with vibration-proof, self-locking fasteners to ensure assembly integrity. They undergo a five-stage cleaning process and are individually powder-coated for the highest quality, corrosion-resistant paint adhesion. Suited for indoor, non weather-tight applications only.

Cord/Cable Storage Reels

Cord and cable storage reels are used for storage, unwinding, and winding of conductive cord/cable. The reel is not intended to be live and the power source must be disconnected while reeling/de-reeling to avoid twisting the wires. Series 30000 cable storage reels are available in hand crank only.

Live Power Cord Reels

Live power cord reels have collector rings that allow the reel to wind/unwind the cord/cable with live current without twisting the wires. Live reels offer the advantage of using a reel as an effective piece of operating equipment rather than a simple device for the storage of cable or cord. Series 30000 live power cord reels are available in direct hand crank, bevel gear crank or electric motor-driven rewind.

New!



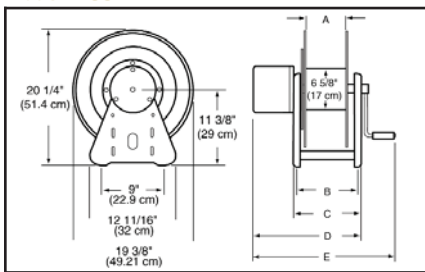
CA30112-CS
Cable not included.

New!



LE312 123 12D

Made in USA



Four 1/2 inch (12.7mm) diameter mounting holes.

		DIMENSIONS									
		CA30106-CS		CA30112-CS		LB312 123 LB312 103		LC312 103 LC312 103		LE312 123 12D LE312 103 12D	
		in / mm		in / mm		in / mm		in / mm		in / mm	
A		6	152	12	305	12	305	12	305	12	305
B		9 3/4	248	15 3/4	400	15 3/4	400	15 3/4	400	15 3/4	400
C		11	279	17	432	17	432	17	432	17	432
D		N/A		N/A		23 3/4	603	23 3/4	603	23 3/4	603
E		19	483	25	635	29 1/4	743	29 3/8	746	25	635

SPECIFICATIONS

MODEL (without cable)	DRIVE TYPE	CORD SPECIFICATIONS				VOLTS	AMPS	WEIGHT	
		AWG / mm ²	No. Cond	Length (SO) ft / m				lbs	kg
NEW CA30106-CS*	Hand Crank	10 5.211	3	140	43	This reel is for cable only. Not intended to be live.	40	18	
		12 3.131	3	175	53				
		16 1.0524	3	425	130				
NEW CA30112-CS*	Hand Crank	10 5.211	3	280	86	This reel is for cable only. Not intended to be live.	46	21	
		12 3.131	3	350	106				
		16 1.0524	3	850	260				
NEW LB312 123	Bevel Crank	12 3.131	3	200	61	600	25	60	27
NEW LB312 103	Bevel Crank	10 5.211	3	200	61	600	30	60	27
NEW LC312 123	Hand Crank	12 3.131	3	200	61	600	25	50	23
NEW LC312 103	Hand Crank	10 5.211	3	200	61	600	30	50	23
NEW LE312 123 12D**	Motor Driven**	12 3.131	3	200	61	600	25	70	32
NEW LE312 103 12D**	Motor Driven**	10 5.211	3	200	61	600	30	70	32

NOTE: Cord must be fully unspooled before use. Actual fill capacities vary with cord O.D. and jacket type. Consult manufacturer for applications requiring cord types other than SO, SOW, or SJO. Reel suited for indoor, non-weather tight applications only. *Power source must be disconnected while reeling/de-reeling. Through shaft on cable storage reels facilitates cable sizes up to .969" O.D. for other sizes, consult manufacturer. **All motor driven models are 12 volt DC non-explosion proof. Other motor options available upon request.

North America: **800-444-3134** China: **(519) 8512 2391**
 Europe: **+44 (0) 1536 406999** Pacific Rim: **+63 (45) 625-6624**
 Latin America: **001-260-489-1685**

McGUIRE AIR COMPRESSORS www.hosereels.biz



Wind Things Up With Reelcraft™



Page 5
Incandescent Light
Cord Reels



Page 5
Fluorescent Light
Cord Reels



Page 4
Power
Cord Reels

Rely on Reelcraft™

Built Better to Perform Better™

North America and Corporate Headquarters

2842 E. Business Hwy. 30
Columbia City, IN 46725
Ph: 800-444-3134 • Fax: 800-444-4587
Ph: 260-248-8188 • Fax: 260-248-2605
reelcraft@reelcraft.com
www.reelcraft.com

Latin America and the Middle East

Thompson International, Inc.
P.O. Box 12958, Ft. Wayne, IN 46866
Ph: 260-489-1685 • Fax: 260-489-0203
info@t-i-i.com
www.reelcraft.com/latinamerica

China

Reelcraft Changzhou Co., Ltd.
Building C, No. 229 HeHai West Road
Changzhou, Jiangsu, China 213022
Ph: (519) 8512 2391 ext. 8002 • Fax: (519) 8512 9309
rco@reelcraftchina.com
www.reelcraft.com/china

Europe

Unit 17 • Cronin Courtyard
Weldon South Industrial Estate
Corby • Northamptonshire • NN18 8AG United Kingdom
Ph: +44 (0) 1536 406999 • Fax: +44 (0) 1536 406777
europe@reelcraft.com
www.reelcraft.com/europe

Pacific Rim

P.O. Box 53776, Clark Freeport Zone, Philippines 2023
Ph: +63 (45) 625-6624 • Fax: +63 (45) 321-0643
rap@comclark.com
www.reelcraft.com/asia

Australia

PO Box 6463 BC, Blacktown • NSW 2148, Australia
Ph: +61 (2) 9621 8988 • Fax: +61 (2) 9621 7688
sales@recoila.com
www.reelcraft.com

reelcraft.com

Form # **737-1194** 0906



Wind Things Up With Reelcraft™